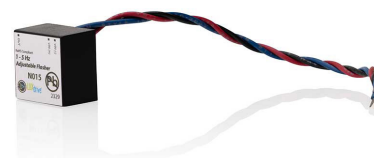


## N015 - MULTIFLASH

### Selectable Frequency Flasher

#### PRODUCT DESCRIPTION

The LUXdrive™ N015 MultiFlash is a frequency-selectable LED flashing unit that pairs well with our driver families. The Multiflash connects to the 0-10V line of the LED driver and strobes between 1-5Hz depending on the frequency selected.



Product		N015		
	Shape	Square		
General	Input Connection	Red (V+) / Black (V-)		
	Output Connection	Blue		
Electrical	Input Voltage	8 Vdc		28 Vdc
	Output Load (Blue)			45 Vdc
	Output Current			2.5 A
	Frequency	1, 2, 3, 4, and 5 Hz		
Environment	Operating Temp	-20 to 80° C		
	Storage Temp	-40 to 80° C		
Mechanical	Connection	6" 24 gauge wire		
	Dimension	0.8" x 0.8" x 0.75"		
	Weight	0.25 oz (7g)		
Regulatory	Compliance	RoHS 3 (EU 2015/863)		
	Warranty	<a href="#">LEDdynamics Warranty</a>		

\* All specifications subject to change without prior notification.

#### Ordering Information

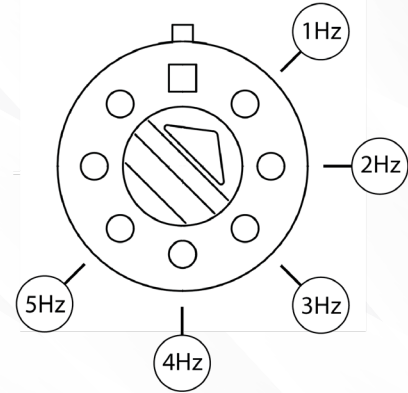
PRODUCT FAMILY	PART NUMBER	DESCRIPTION
Selectable Flasher	N015	Selectable 1-5 Hz Flashing Controller

# N015 - MULTIFLASH

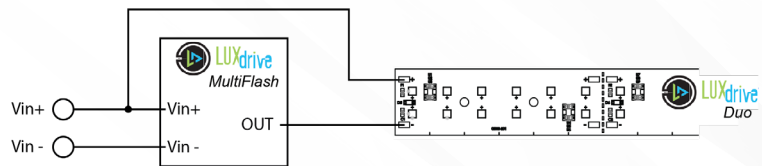
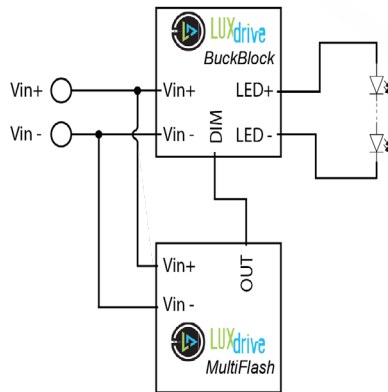
## Selectable Frequency Flasher

### Operation

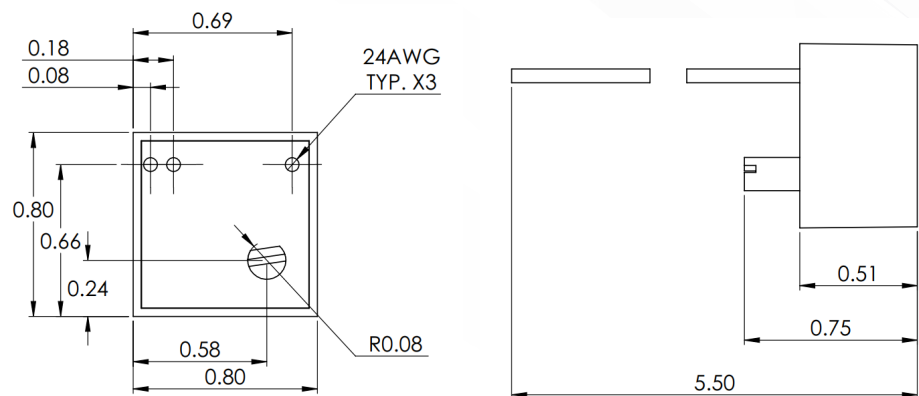
The N015 is a pulse width modulator unit that changes the frequency of the output by turning the knob to select one of the 5 frequencies available. The PWM controls a MOSFET that has an open drain attached to the OUT wire and source tied to Vin-. The N015 is meant to work with the 0-10V controls of LED drivers.



### Wiring Examples



### Mechanical



1. Dimensions in inches
2. Tolerance: 0.xx" = +0.015"